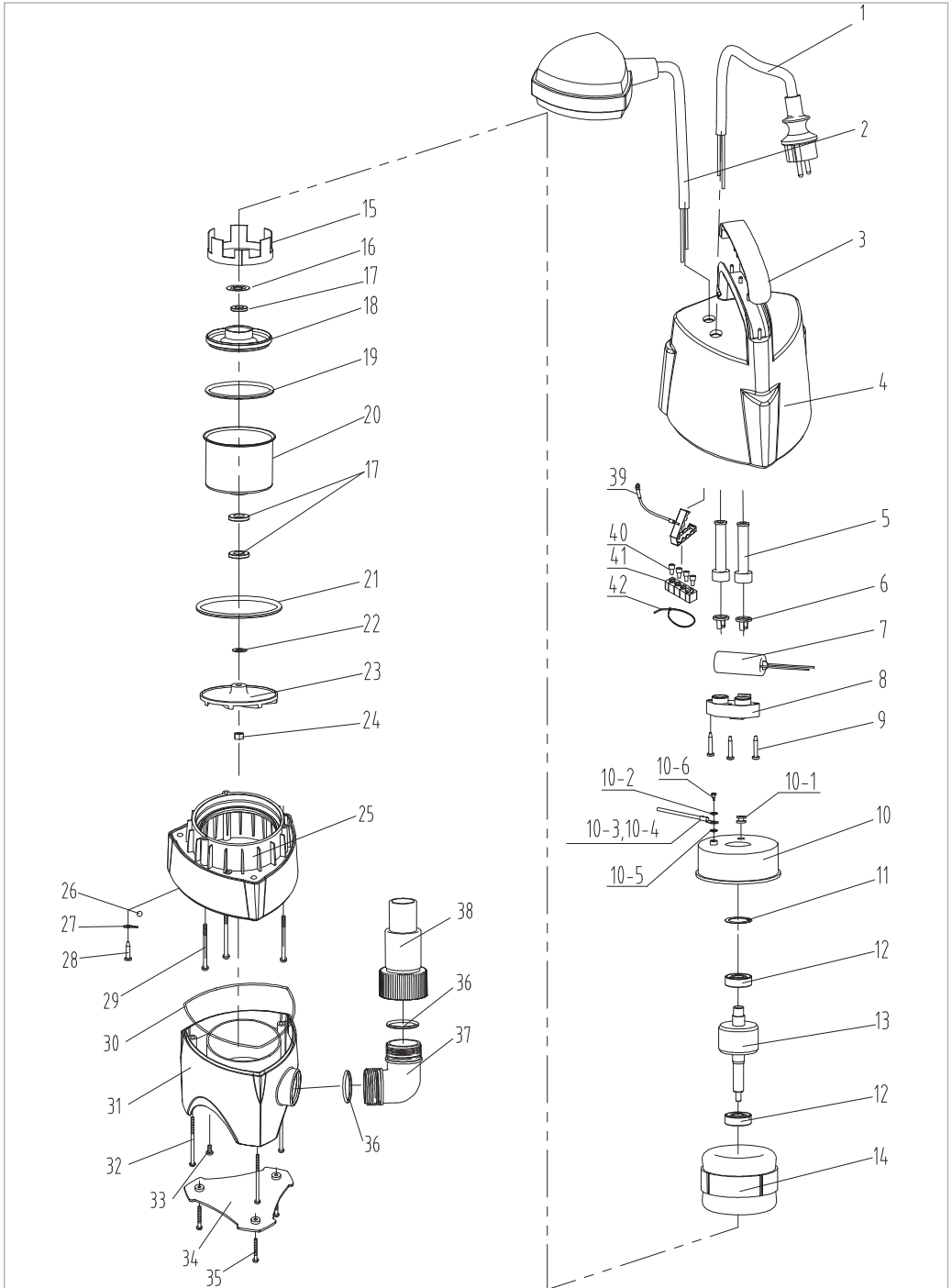


**RDP-WP25** exploded view

## PARTS LIST RDP-WP25

NO.	Description	Qty	NO.	Description	Qty
1	power line	1	27	small washer	1
2	float switch	1	28	tapping screw	1
3	handle cover	1	29	tapping screw	3
4	rear pump shell	1	30	O ring	1
5	cable sheath	1	31	base	1
5	cable sheath	1	32	tapping screw	3
6	cable briquetting	1	33	tapping screw	1
6	cable briquetting	1	34	base plate	1
7	16uF capacitance	1	35	tapping screw	3
8	cable briquetting	1	36	O ring	2
9	tapping screw	3	37	elbow	1
10	rear cover	1	38	output connector	1
10-1	wire jacket	1	39	gasket	1
10-2	washer	1	40	ground connection cover	2
10-3	yellow-green line	1	40	nylon close-end wiri	3
10-4	lug plate	1	41	rubber press	1
10-5	washer	1	42	ribbon	1
10-6	screw	1			
11	corrugated gasket	1			
12	bearing	2			
13	rotor	1			
14	stator	1			
15	ring gasket	1			
16	gasket	1			
17	skeleton seal ring	3			
18	Aluminium bush	1			
19	O ring	1			
20	front cover	1			
21	O ring	1			
22	adjusting gasket	1			
22	adjusting gasket	1			
23	Impeller	1			
24	screw	1			
25	main pump shell	1			
26	steel ball	1			